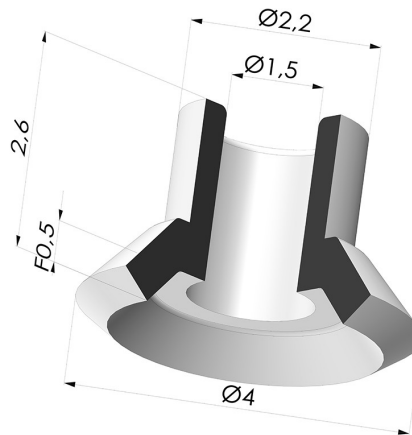


**TECHNICAL INFORMATION**

<b>Arrow :</b>	0.5 mm
<b>Category :</b>	Plates
<b>Contact lip diameter :</b>	4 mm
<b>Height (in mm) :</b>	2.6
<b>Horizontal force :</b>	0.59 N
<b>inner barrel diameter :</b>	1.5 mm
<b>Number of bellows :</b>	0.5 Bellows
<b>Range :</b>	Suction cup
<b>Series :</b>	PFG
<b>Shape :</b>	Plate
<b>Vertical force :</b>	0.30 N



**Variants:**



Variant reference:

**PFG 3.5SLT A**

- Color: Translucent
- Matter: Silicone
- Shore Hardness: SH60



Variant reference:

**PFG 3.5NI A**

- Color: Black
- Matter: Nitrile
- Shore Hardness: SH50