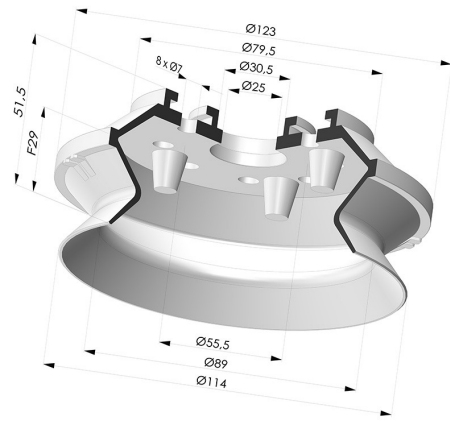


**TECHNICAL INFORMATION**

<b>Arrow :</b>	29 mm
<b>Category :</b>	With bellows
<b>Contact lip diameter :</b>	114 mm
<b>Height (in mm) :</b>	51.5
<b>Horizontal force :</b>	443 N
<b>inner barrel diameter :</b>	25mm
<b>Number of bellows :</b>	1.5 Bellows
<b>Range :</b>	Suction cup
<b>Series :</b>	91
<b>Shape :</b>	1.5 Bellows
<b>Vertical force :</b>	221.5 N



**Variants:**



Variant reference:

**91 110NI A**

- Color: Black
- Matter: Nitrile
- Shore Hardness: SH50



Variant reference:

**91 110SL A**

- Color: Red food-grade CE certification
- Matter: Silicone
- Shore Hardness: SH60



Variant reference:

**91 110SLT A**

- Color: Translucent
- CE food certified
- Matter: Silicone
- Shore Hardness: SH60

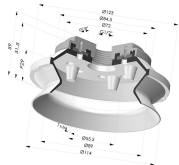


Variant reference:

**91 110TPU A**

- Color: Translucent
- Matter: Thermoplastic
- Shore Hardness: SH70

**Related products:**



**Bellows Suction Cup 1.5 folds Series 91, Ø 110 mm**

Product reference: 91 110-- 12