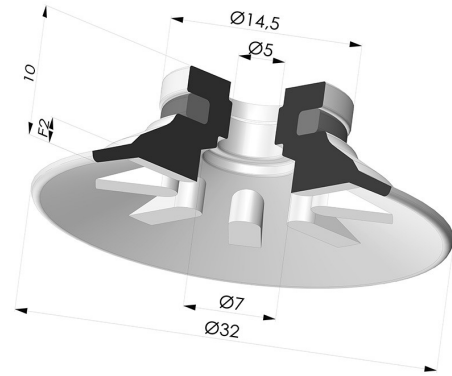


TECHNICAL INFORMATION

- Arrow :** 2 mm
Category : Plates
Contact lip diameter : 32
Height (in mm) : 10
Horizontal force : 33 N
inner barrel diameter : 5
Number of bellows : 0.5 Bellows
Range : Suction cup
Series : 90
Shape : Plate
Vertical force : 17 N



Variants:



Variant reference:

90 30PU A

- Color: Blue
- Matter: Polyurethane
- Shore Hardness: SH60



Variant reference:

90 30SL A

- Color: Red food-grade CE certification
- Matter: Silicone
- Shore Hardness: SH60



Variant reference:

90 30SLT A

- Color: Translucent
- CE food certified
- Matter: Silicone
- Shore Hardness: SH60



Variant reference:

90 30TPU A

- Color: Translucent
- Matter: Thermoplastic
- Shore Hardness: SH60



Variant reference:

90 30NI A

- Color: Black
- Matter: Nitrile
- Shore Hardness: SH50

