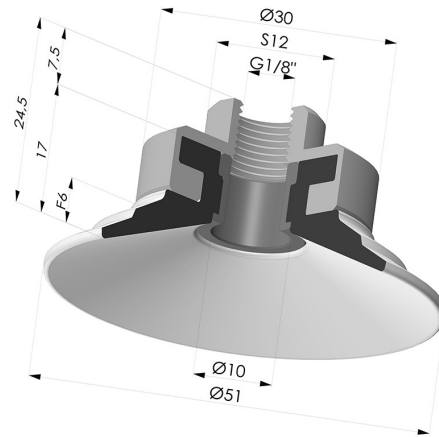


**TECHNICAL INFORMATION**

<b>Arrow :</b>	6 mm
<b>Category :</b>	Plates
<b>Contact lip diameter :</b>	51 mm
<b>Height (in mm) :</b>	24.5
<b>Horizontal force :</b>	88 N
<b>inner barrel diameter :</b>	Female G1/8"
<b>Number of bellows :</b>	0.5 Bellows
<b>Range :</b>	Suction cup
<b>Series :</b>	9
<b>Shape :</b>	Plate
<b>Vertical force :</b>	44 N



**Variants:**



Variant reference:

**9 50NI F18**

- Color: Black
- Matter: Nitrile
- Shore Hardness: SH50

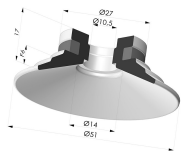


Variant reference:

**9 50SLT F18**

- Color: Translucent
- CE food certified
- Matter: Silicone
- Shore Hardness: SH60

**Related products:**



**Flat Suction Cup Series 9, Ø 50 mm**

Product reference: 9 50-- A



**Crimped Female Fitting 1/8G**

Product reference: 9G18A



**Rivet for Fitting 9G18A - Aluminium**

Product reference: 9G18A RIV