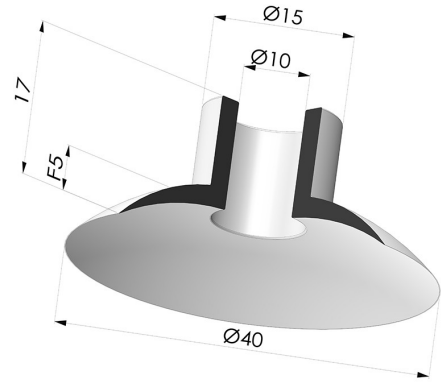


TECHNICAL INFORMATION

Arrow :	5mm
Category :	Plates
Contact lip diameter :	40 mm
Height (in mm) :	17
Horizontal force :	57.11 N
inner barrel diameter :	10 mm
Number of bellows :	0.5 Bellows
Range :	Suction cup
Series :	5
Shape :	Plate
Vertical force :	28.55 N



Variants:



Variant reference:

5 40SLT A

- Color: Translucent
- CE food certified
- Matter: Silicone
- Shore Hardness: SH60



Variant reference:

5 40SLB A

- Color: White
- FDA and CE food-grade certified
- Matter: Silicone
- Shore Hardness: SH40

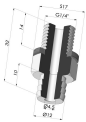


Variant reference:

5 40NI A

- Color: Black
- Matter: Nitrile
- Shore Hardness: SH50

Related products:



Separable Male Fitting G1/4"

Product reference: M14C17L32