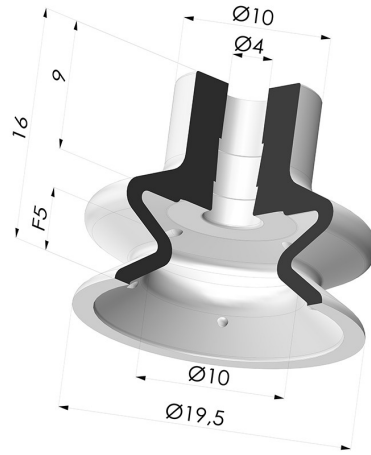


**TECHNICAL INFORMATION**

<b>Arrow :</b>	5 mm
<b>Category :</b>	With bellows
<b>Contact lip diameter :</b>	19.5 mm - with step
<b>Height (in mm) :</b>	16
<b>Horizontal force :</b>	14 N
<b>inner barrel diameter :</b>	4 mm
<b>Mass :</b>	1.60 g
<b>Number of bellows :</b>	1.5 Bellows
<b>Range :</b>	Suction cup
<b>Series :</b>	1
<b>Shape :</b>	1.5 Bellows
<b>Vertical force :</b>	7 N
<b>Volume :</b>	0.98 cm <sup>3</sup>



**Variants:**



Variant reference:  
**1 20SLT A SPD**

- Color: Translucent
- CE food certified
- Matter: Silicone
- Shore Hardness: SH60



Variant reference:  
**1 20NR A SPD**

- Color: Gray
- Matter: Natural rubber
- Shore Hardness: SH50