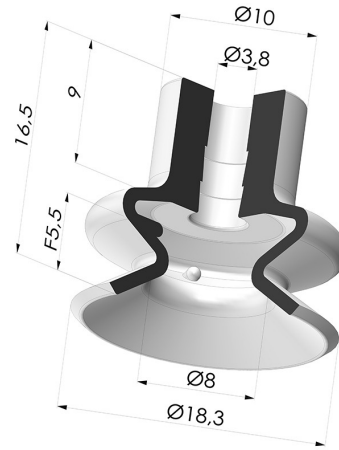


TECHNICAL INFORMATION

Arrow : 5.5 mm
Category : With bellows
Contact lip diameter : 18.3 mm
Height (in mm) : 16.5
Horizontal force : 6 N
inner barrel diameter : 3.8 mm
Mass : 1.40 g
Number of bellows : 1.5 Bellows
Range : Suction cup
Series : 1
Shape : 1.5 Bellows
Vertical force : 3 N
Volume : 0.87 cm³



Variants:



Variant reference:
1 18MNT A

- Color: Bordeaux
- Matter: Non-staining material
- Shore Hardness: SH60



Variant reference:
1 18PU A

- Color: Blue
- Matter: Polyurethane
- Shore Hardness: SH60



Variant reference:
1 18SL A

- Color: Red food-grade CE certification
- Matter: Silicone
- Shore Hardness: SH60



Variant reference:
1 18SLT A

- Color: Translucent
- CE food certified
- Matter: Silicone
- Shore Hardness: SH60



Variant reference:
1 18NI A

- Color: Black
- Matter: Nitrile
- Shore Hardness: SH50



Variant reference:
1 18NR A

- Color: Gray
- Matter: Natural rubber
- Shore Hardness: SH50

Related products:



Separable Female Fitting G1/4"

Product reference: B



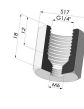
Separable Male Fitting G1/4"

Product reference: C



Separable Female Fitting G1/8"

Product reference: F



Adaptor - Female G1/4" - Female M6

Product reference: F14F6



Adaptor - Female 1/8G - Female M6

Product reference: F18F6



Separable Male Fitting G1/8"

Product reference: G



Adaptor - Male 1/4G - Female M6

Product reference: M14F6



Adaptor - Male 1/8G - Female M6

Product reference: M18F6



Separable Male Fitting M5

Product reference: M5C11



Separable Male Fitting M6

Product reference: M6C



Separable Male Fitting M5

Product reference: M5C

--