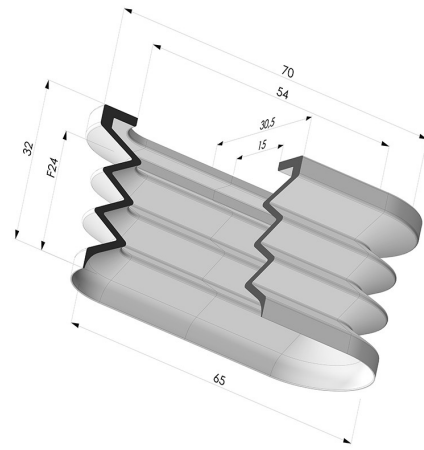
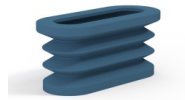


TECHNICAL INFORMATION

| | |
|--------------------------------|-------------|
| Arrow : | 24 mm |
| Category : | Rectangular |
| Contact lip diameter : | 65x30.5 mm |
| Height (in mm) : | 32 |
| Horizontal force : | 91.75 N |
| inner barrel diameter : | 54x15 mm |
| Length : | 65 mm |
| Number of bellows : | 2.5 Bellows |
| Range : | Suction cup |
| Series : | 4PA |
| Shape : | Oblong |
| Shape : | 2.5 Bellows |
| Vertical force : | 45 N |
| Width : | 30.5 mm |



Variants:



Variant reference:

4PA65 25 32SLDB A

- Color: Blue food-grade CE certification
- Matter: Detectable silicone
- Shore Hardness: SH60