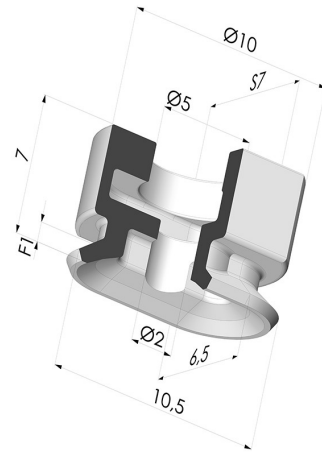
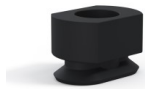


TECHNICAL INFORMATION

Arrow :	1 mm
Category :	Oblong
Height (in mm) :	7
Horizontal force :	2.5 N
inner barrel diameter :	5 mm
Length :	10.5 mm
Number of bellows :	0.5 Bellows
Range :	Suction cup
Series :	4V
Shape :	Oblong
Vertical force :	1.25 N
Width :	6.5 mm



Variants:



Variant reference:

4V 10NI A

- Color: Black
- Matter: Nitrile
- Shore Hardness: SH70



Variant reference:

4V 10SLT A

- Color: Translucent
- CE food certified
- Matter: Silicone
- Shore Hardness: SH60

Related products:



Separable Male Fitting 1/8G

Product reference: M18CVP