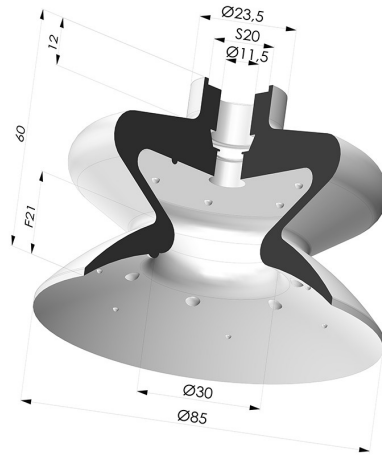


TECHNICAL INFORMATION

Arrow :	21 mm
Category :	With bellows
Contact lip diameter :	85 mm
Height (in mm) :	60
Horizontal force :	258 N
inner barrel diameter :	11.5 mm
Mass :	100 g
Number of bellows :	1.5 Bellows
Range :	Suction cup
Series :	1
Shape :	1.5 Bellows
Vertical force :	129 N
Volume :	83.06 cm ³



Variants:



Variant reference:

1 86SLT A

- Color: Translucent
- CE food certified
- Matter: Silicone
- Shore Hardness: SH60

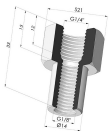


Variant reference:

1 86NI A

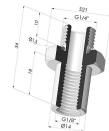
- Color: Black
- Matter: Nitrile
- Shore Hardness: SH50

Related products:



Crimped Female Fitting G1/4"

Product reference: N



Crimped Male Fitting G1/4"

Product reference: O